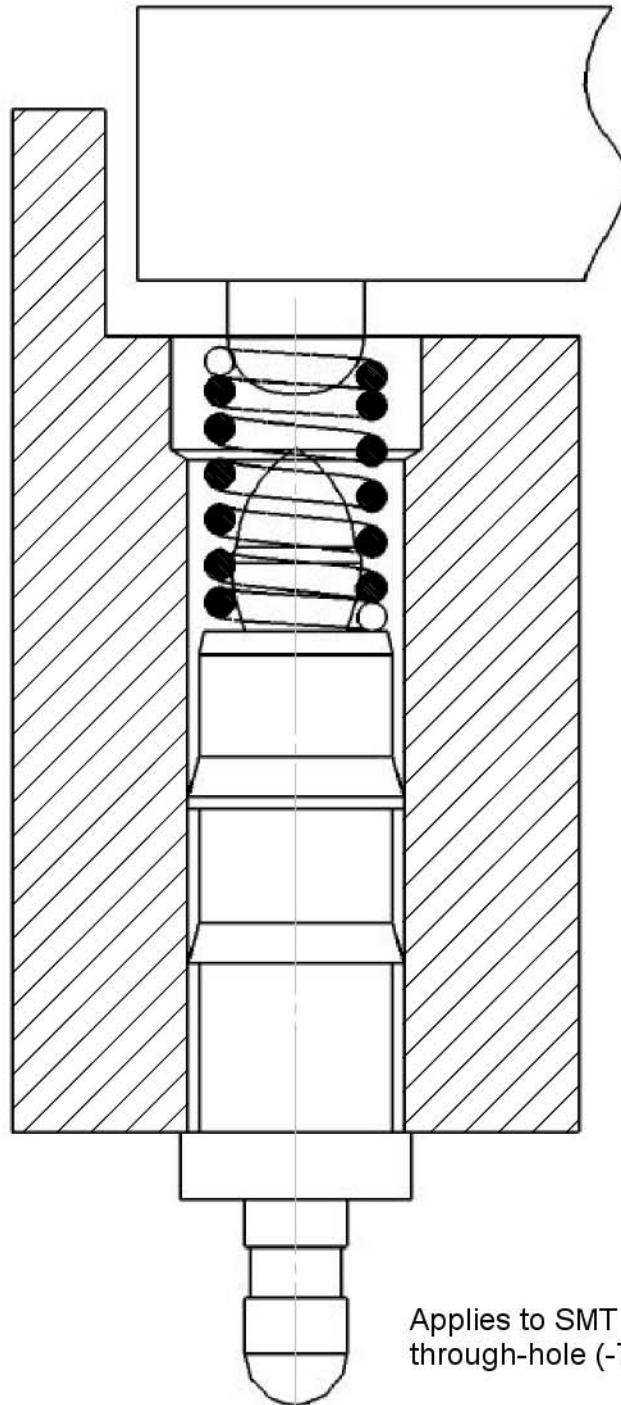




EMULATION TECHNOLOGY, INC.
World Leader in Adapters, Clips, and Test Accessories

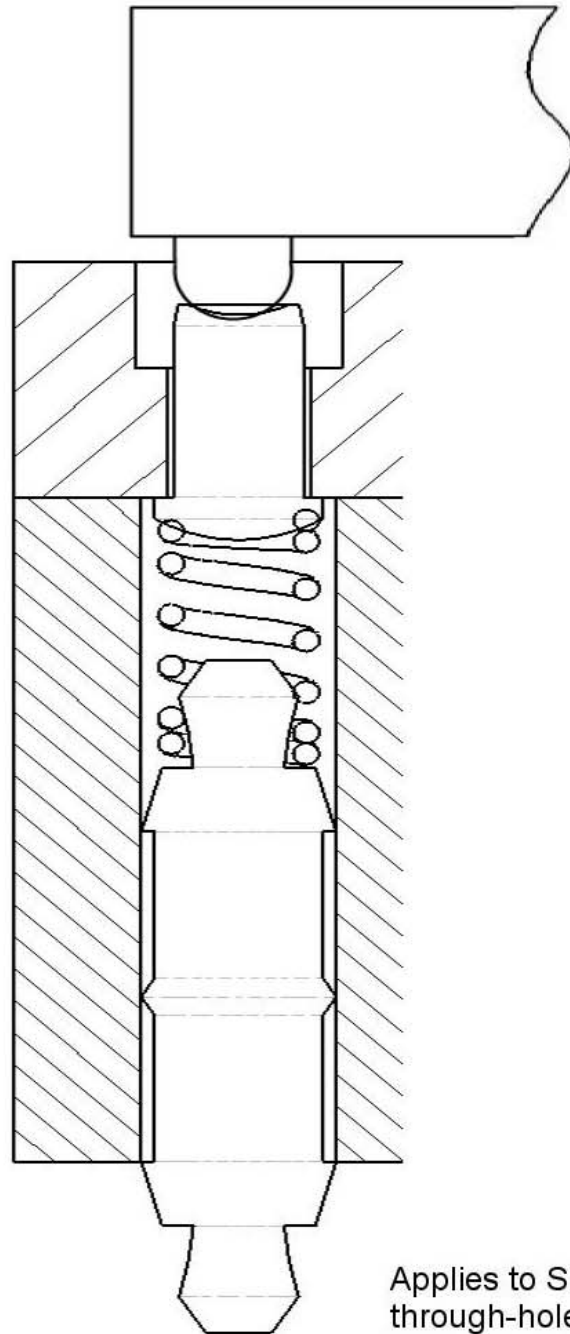


Applies to SMT (-30), raised SMT (-29) and through-hole (-70) sockets. SMT pin shown.

**Cross Section View -
BGA Socket with Standard Ball
on Bottom of Package**



EMULATION TECHNOLOGY, INC.
World Leader in Adapters, Clips, and Test Accessories

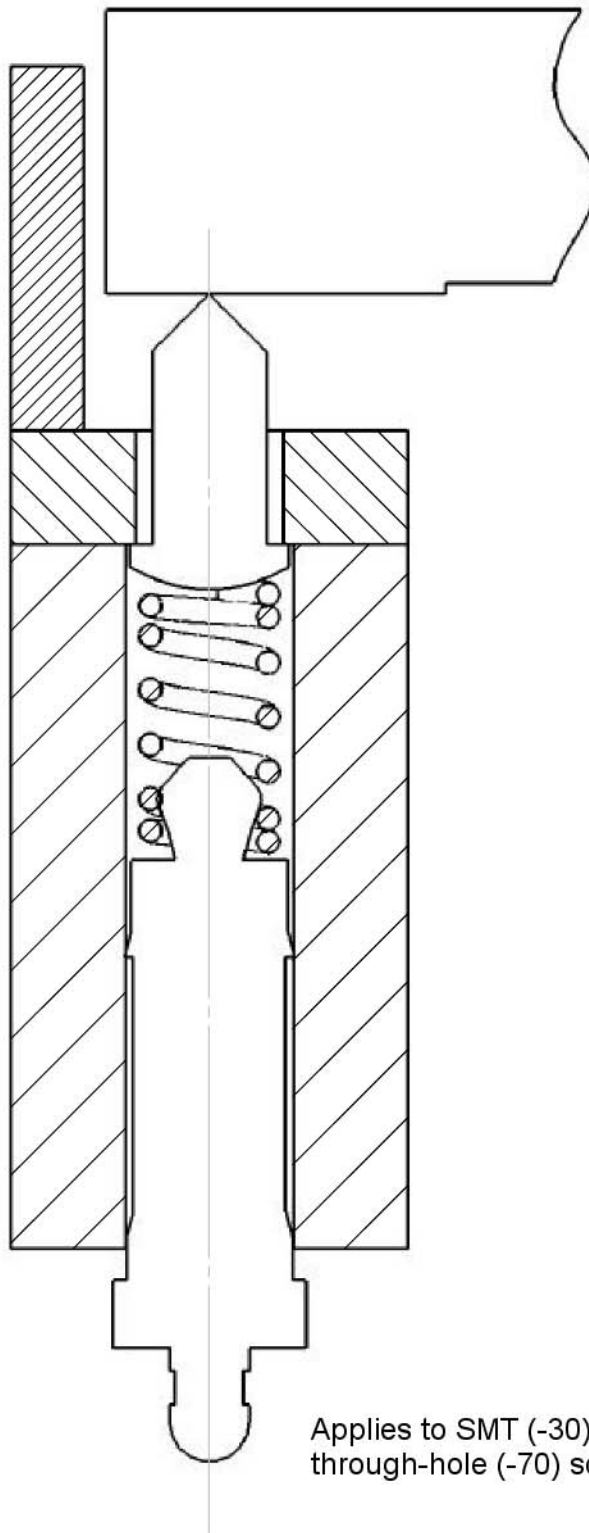


Applies to SMT (-30), raised SMT (-29) and through-hole (-70) sockets. SMT pin shown.

**Cross Section View -
BGA Socket with Undersized Ball
on Bottom of Package**



EMULATION TECHNOLOGY, INC.
World Leader in Adapters, Clips, and Test Accessories

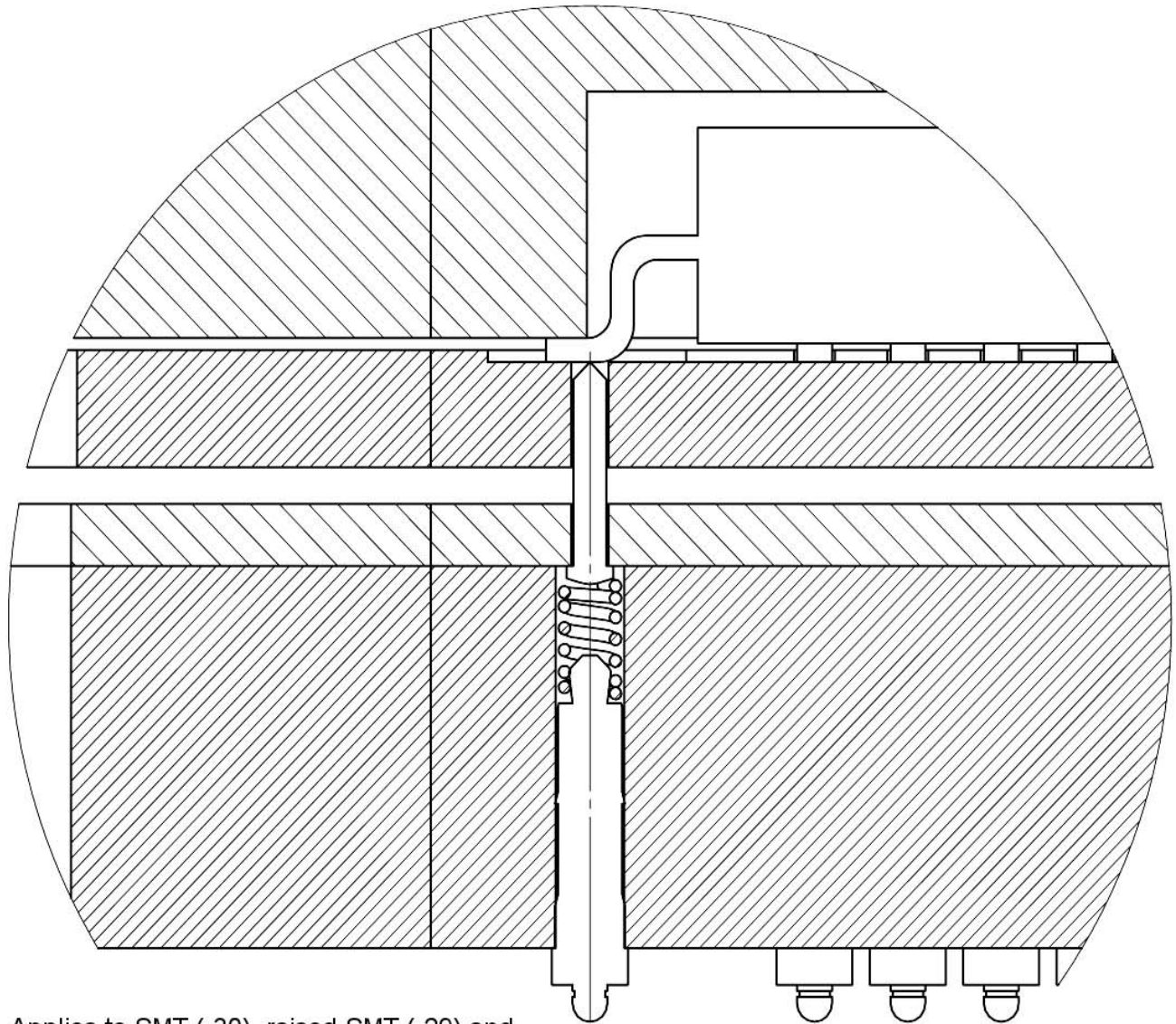


Applies to SMT (-30), raised SMT (-29) and through-hole (-70) sockets. SMT pin shown.

**Cross Section View -
QFN/MLF/LGA/LCC Socket with Flat Pad
on Bottom of Package**



EMULATION TECHNOLOGY, INC.
World Leader in Adapters, Clips, and Test Accessories

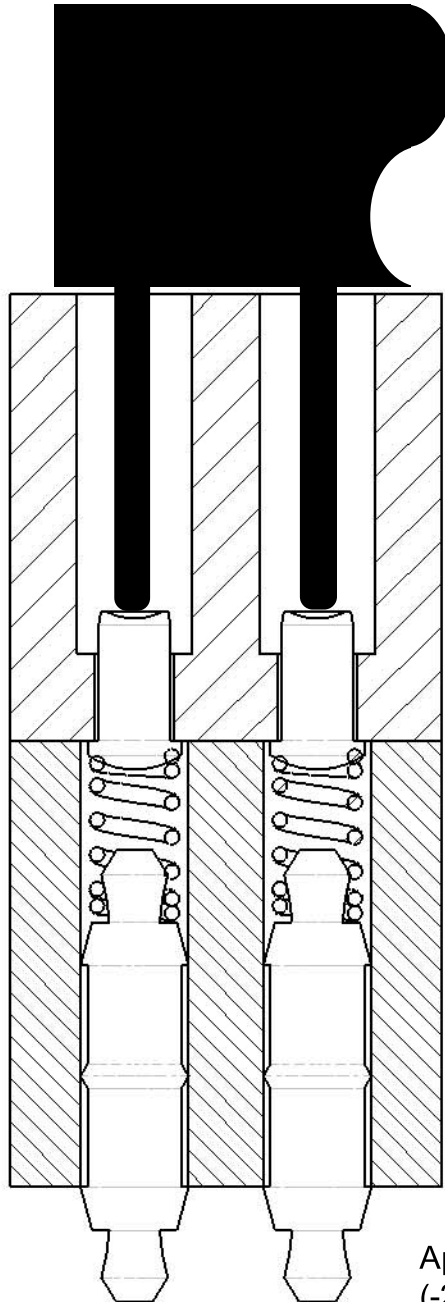


Applies to SMT (-30), raised SMT (-29) and through-hole (-70) sockets. SMT pin shown.

**Cross Section View -
SSOP/SOIC/QFP Socket with Gullwing Lead**



EMULATION TECHNOLOGY, INC.
World Leader in Adapters, Clips, and Test Accessories



Applies to SMT (-30), raised SMT (-29) and through-hole (-70) sockets. SMT pin shown.

**Cross Section View -
Column Grid / Pin Grid Array Socket**