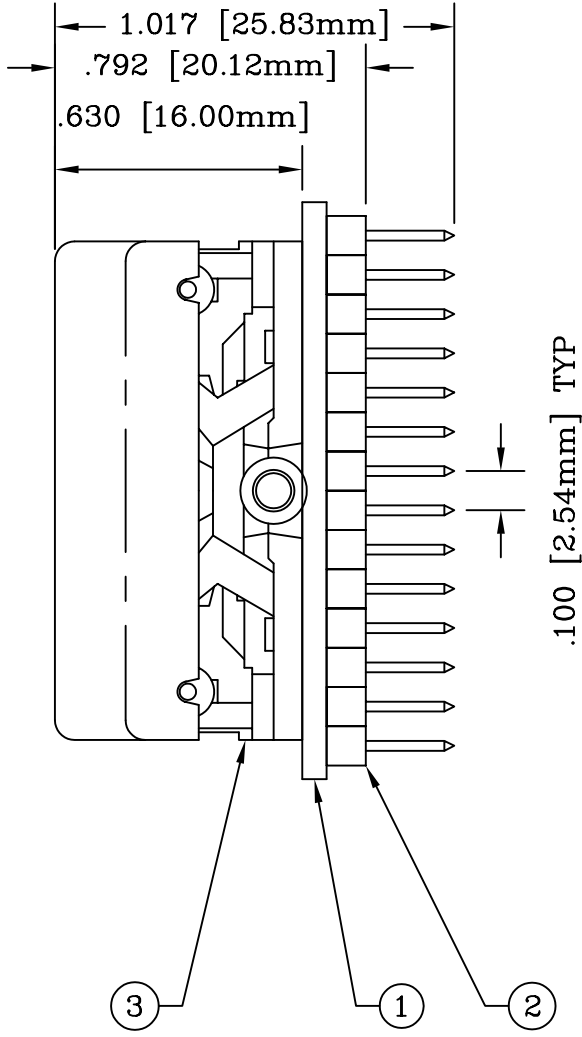
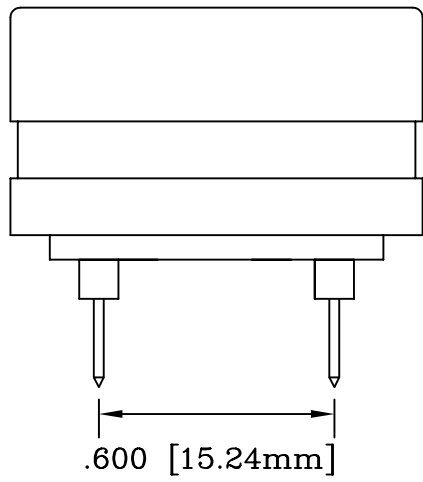
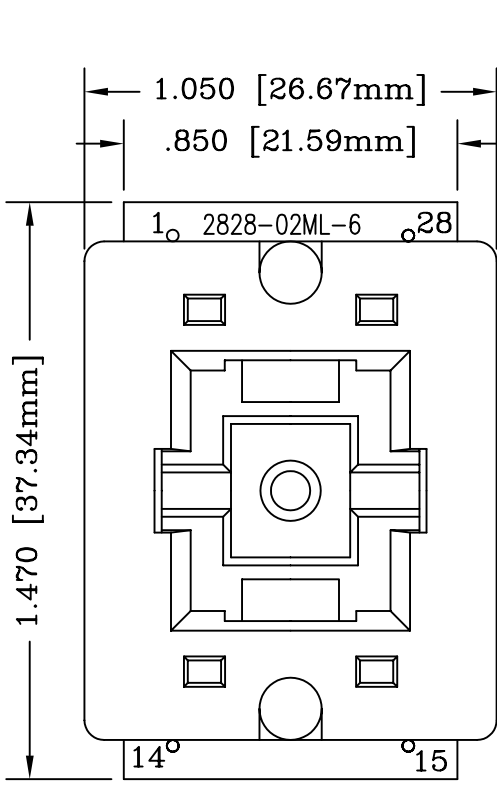


REV	DESCRIPTION	DATE	BY
A	NEW DRAWING	10/12/04	H.N.

F7357



PIN CONNECTIONS TABLE		
DIP		MLF
PIN #	NET NAME	PIN #
1	MCLR/Vpp	26
2	RA0/AN0	27
3	RA1/AN1	28
4	RA2/AN2	1
5	RA3/AN3/Vref	2
6	RA4/T0CKI	3
7	RA5/AN4/SS	4
8	Vss	5
9	OSC1/CLKIN	6
10	OSC2/CLKOUT	7
11	RC0/T1OSO/T1CKI	8
12	RC1/T1OSI/CCP2	9
13	RC2/CCP1	10
14	RC3/SCK/SCL	11
15	RC4/SDI/SDA	12
16	RC5/SDO	13
17	RC6/TX/CK	14
18	RC7/RX/DT	15
19	Vss	16
20	VDD	17
21	RB0/INT	18
22	RB1	19
23	RB2	20
24	RB3/PGM	21
25	RB4	22
26	RB5	23
27	RB6/PGC	24
28	RB7/PGD	25

ALL DIMENSIONS ARE IN INCHES UNLESS OTHERWISE SPECIFIED

Emulation Technology, Inc.
 — VLSI and SMT ADAPTERS and ACCESSORIES —
 2344 Walsh Avenue, Bldg.F Santa Clara, Ca 95051
 TEL:(408)982-0660 FAX:(408)982-0664

NO.	ITEM	DESCRIPTION	QTY.
1	2828-02ML-6	BASE BOARD	1
2	WWPOST-36-AS	SOLDER ON BOTTOM OF # 1	1.3
3	S-MLF-00-028-A1	SOLDER ON TOP OF # 1	1

SHEET: 1 OF 1	DATE: 10/12/04	REVISION: A	ASSEMBLY DRAWING
CHECKED: Perry Munroe	DRAWN: Huy Nguyen	ITEM: 282802ML600-OT	
Scale 2:1	DO NOT SCALE DRAWING	DESCRIPTION: AS-28-28-02ML-6-OT	