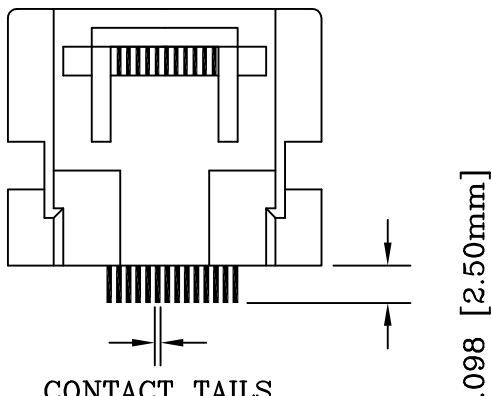
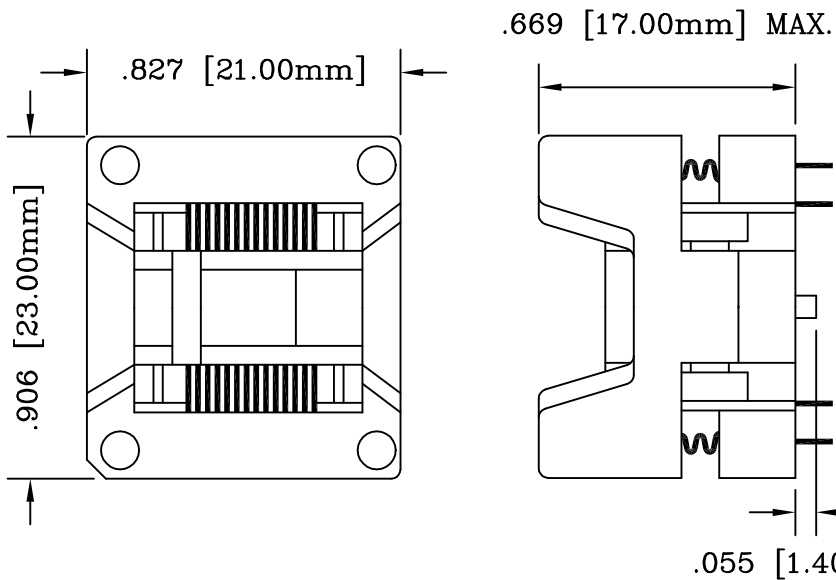
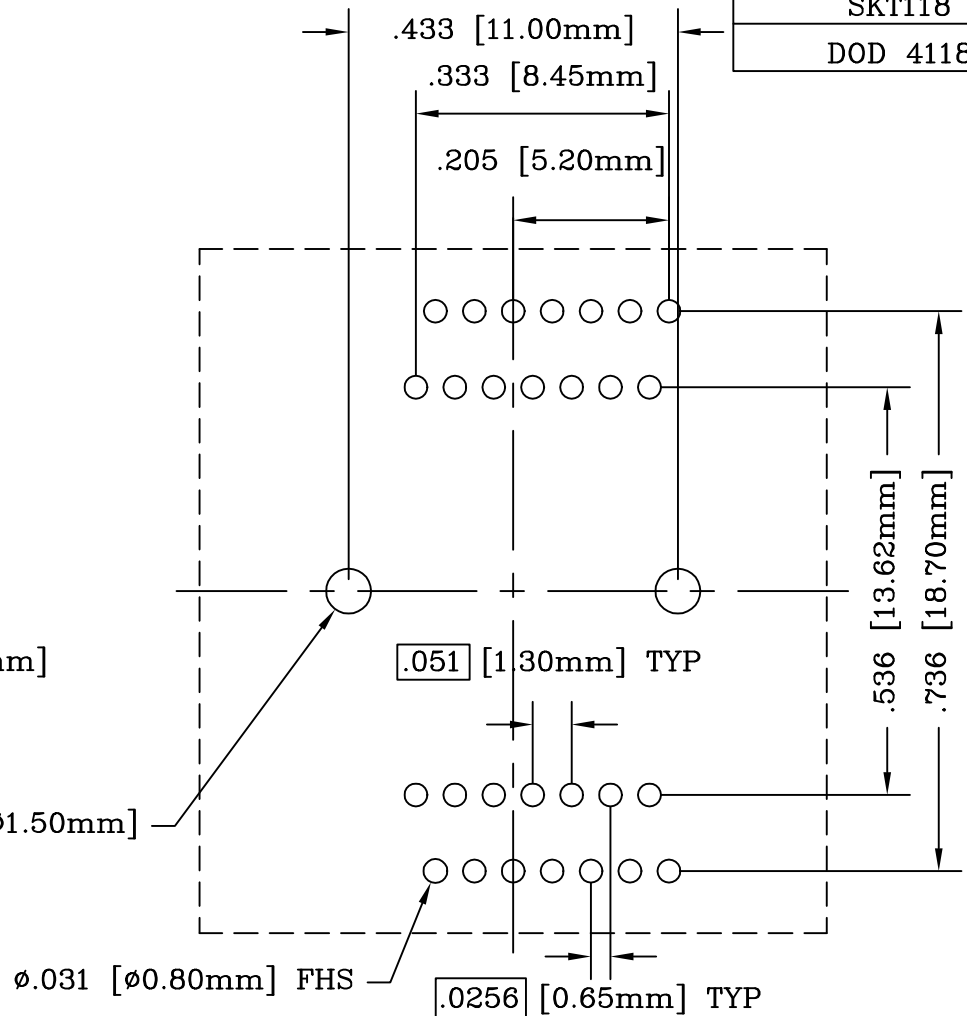


REV	DESCRIPTION	DATE	BY
A	NEW DRAWING	2/21/01	A.F.
B	UPDATED DWG & PCB LAYOUT	04/12/02	H.N.

SKT118
DOD 4118



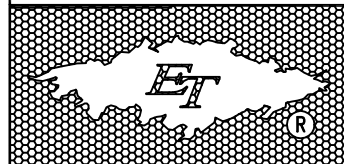
CONTACT TAILS
.0118 [0.30mm] X
.0197 [0.50mm]



RECOMMENDED PCB LAYOUT
AS SEEN FROM TOP OF SOCKET

PACKAGE SPECIFICATIONS	
PIN COUNT	= 28
LEAD PITCH	= 0.65mm
PACKAGE WIDTH	= 5.30mm

ALL DIMENSIONS ARE IN INCHES UNLESS OTHERWISE SPECIFIED



Emulation Technology, Inc.

— VLSI and SMT ADAPTERS and ACCESSORIES —

2344 Walsh Avenue, Bldg.F Santa Clara, Ca 95051
TEL:(408)982-0660 FAX:(408)982-0664

SHEET: 1 OF 1	DATE: 04/12/02	REVISION: B	ASSEMBLY DRAWING
CHECKED: Perry Munroe	DRAWN: Huy Nguyen	ITEM: S-SSO-00-028-B	DESCRIPTION: S-SSO-00-028-B
Scale 1:2	DO NOT SCALE DRAWING		