

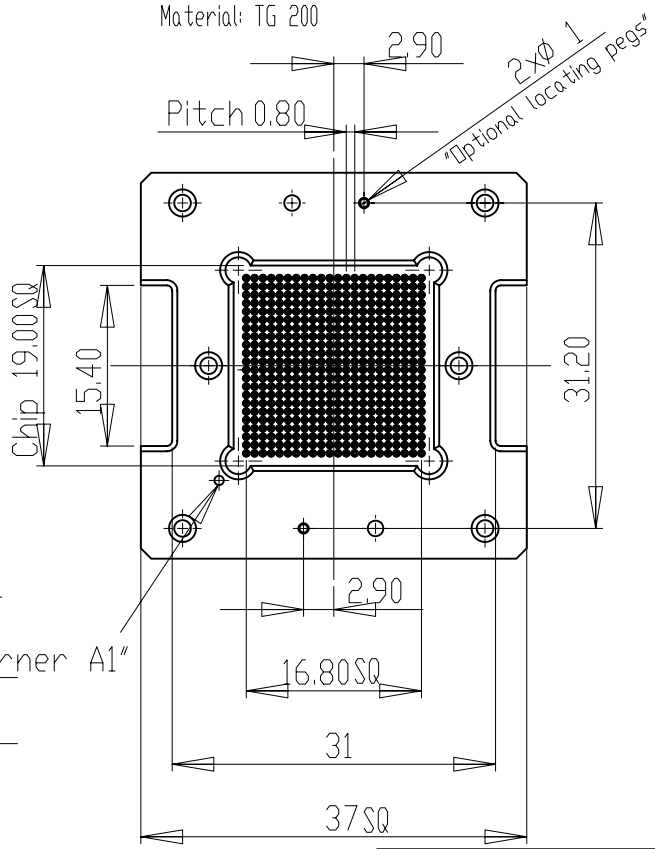
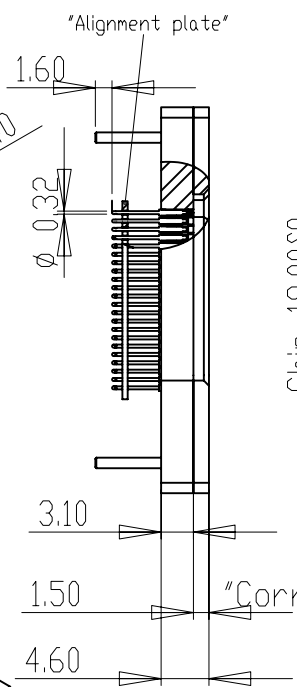
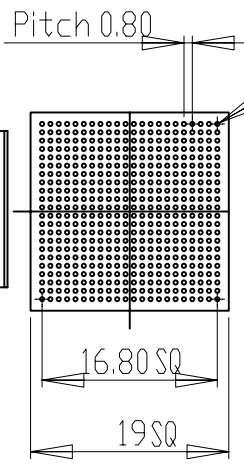
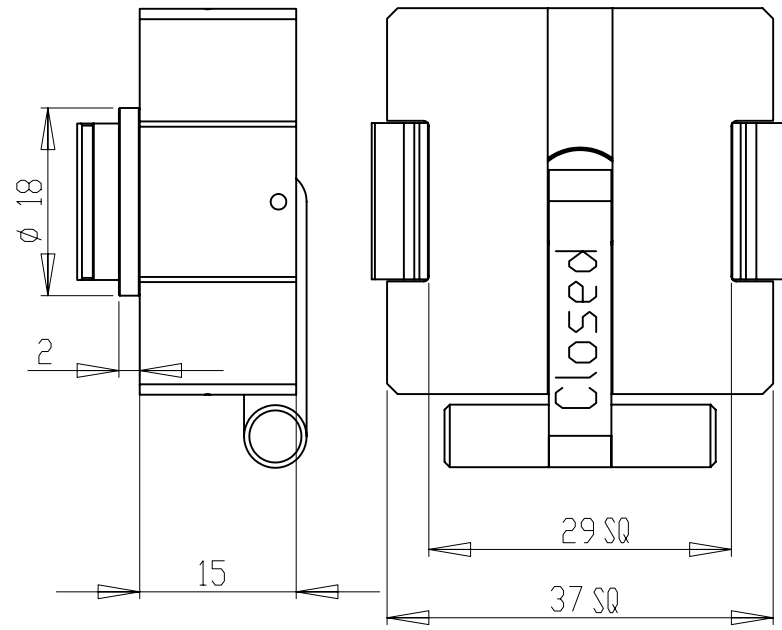
REV	DESCRIPTION	DATE	BY
A	NEW DRAWING	05/10/07	H.N.

SKT2919

Socket
Material: TG 200

Retention frame
Material: Epoxy FR4

Alignment plate
Material: Epoxy FR4
Thickness: 0.5mm
(For -29 & -28)



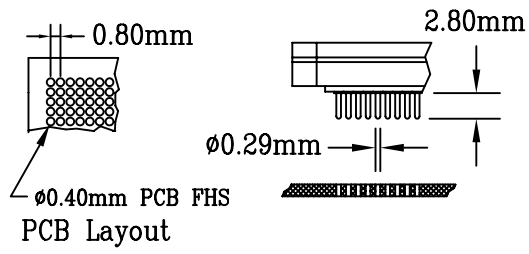
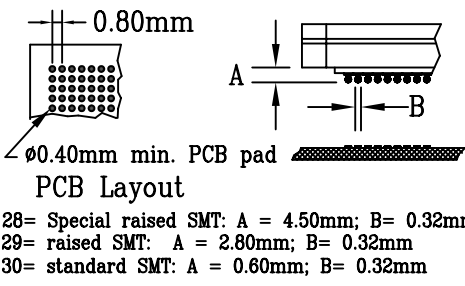
"Lid pressure adjustment is pre-set at the factory. Tampering with the setting may damage the socket and/or device and will invalidate your warranty."

PCB holes for locating pegs - $\phi 1.10 \pm 0.02$
Note: Locating pegs can also be soldered to PCB if plated-thru holes are provided

RECOMMENDED PAD LAYOUT

SURFACE MOUNT STYLE		
REGULAR SMT STYLE	RAISED SMT STYLE	SPECIAL RAISED SMT STYLE
XX = SM YY = 30	XX = SR YY = 29	XX = SC YY = 28


SOLDERTAIL = THRU HOLE STYLE	
XX = ET	YY = 70



PACKAGE SPECIFICATIONS	
PIN COUNT	= 484
LEAD PITCH	= 0.80mm
GRID SIZE	= 22X22
PACKAGE SIZE	= 19.00mm SQ
IC BALL DIA	= 0.55mm MAX
BALL HEIGHT	= 0.45mm MAX.

UNLESS OTHERWISE SPECIFIED:
DIMENSIONS ARE IN MILLIMETERS
SURFACE FINISH:
GENERAL TOLERANCES: ± 0.10
LINEAR:
ANGULAR:

ALL DIMENSIONS ARE IN MILLIMETERS UNLESS OTHERWISE SPECIFIED



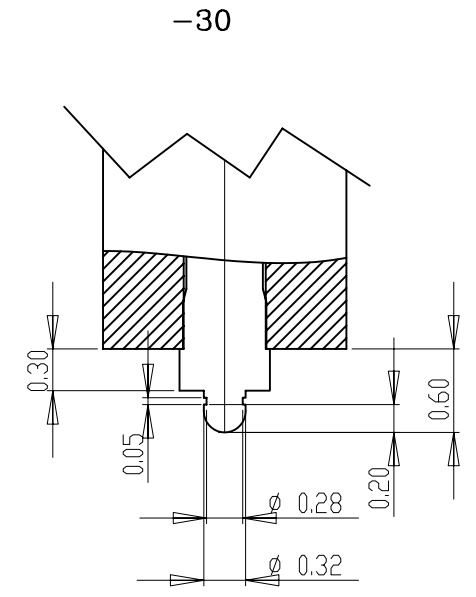
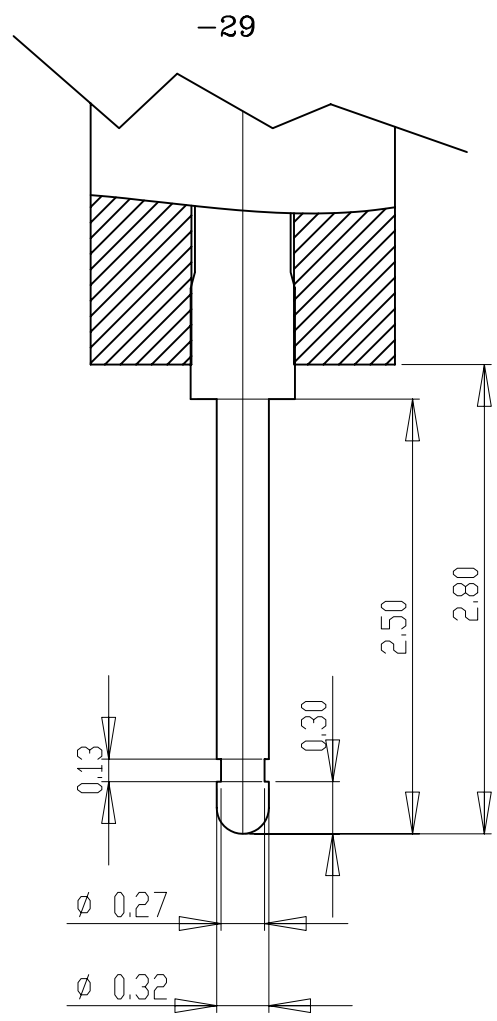
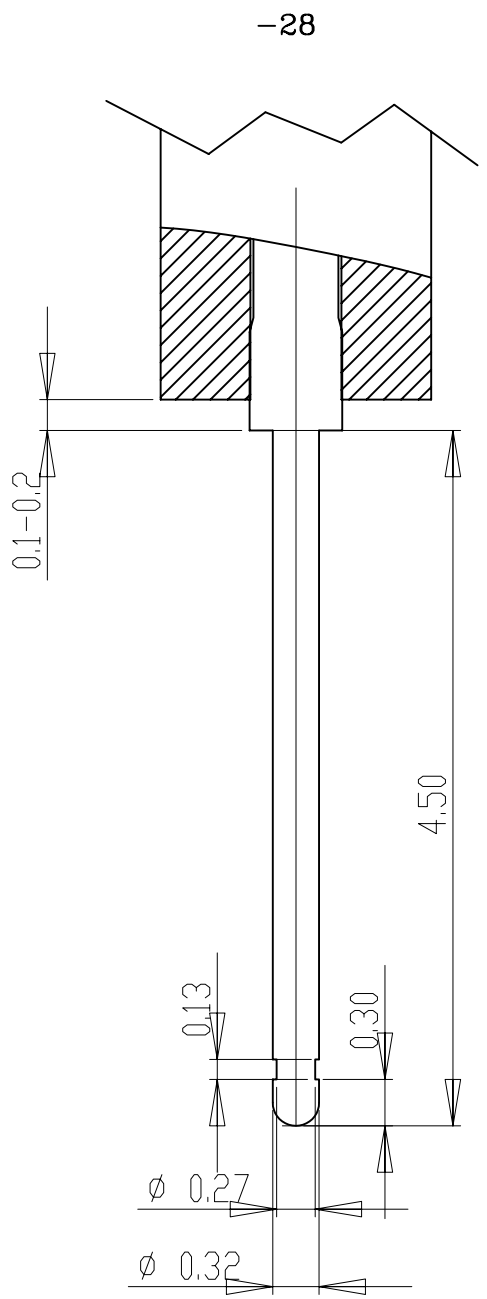
Emulation Technology, Inc.
— VLSI and SMT ADAPTERS and ACCESSORIES —
2344 Walsh Avenue, Bldg.F Santa Clara, Ca 95051
TEL:(408)982-0660 FAX:(408)982-0664

SHEET: 1 OF 1	DATE: 05/10/07	REVISION: A	ASSEMBLY DRAWING
CHECKED:	DRAWN: H.N.	ITEM: S-MBQ-22-484-XX	
Scale N/A DO NOT SCALE DRAWING			DESCRIPTION: BPQ-484-6BG022-YY

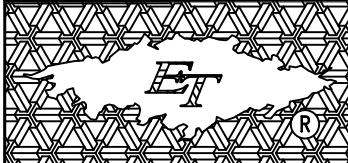
All Dimensions Are Nominal For A 0.80mm Pitch BGA Package

REV	DESCRIPTION	DATE	BY
A	NEW DRAWING	06/28/06	H.N.

ET-0.80mm



ALL DIMENSIONS ARE IN MILLIMETERS UNLESS OTHERWISE SPECIFIED



Emulation Technology, Inc.
 — VLSI and SMT ADAPTERS and ACCESSORIES —
 2344 Walsh Avenue, Bldg.F Santa Clara, Ca 95051
 TEL:(408)982-0660 FAX:(408)982-0664

SHEET: 1 OF 1	DATE: 06/28/06	REVISION: A	ASSEMBLY DRAWING
CHECKED: Perry Munroe	DRAWN: Huy Nguyen		ITEM: 0.80mm PITCH PIN
Scale N/A	DO NOT SCALE DRAWING		DESCRIPTION: 0.80mm PITCH PIN