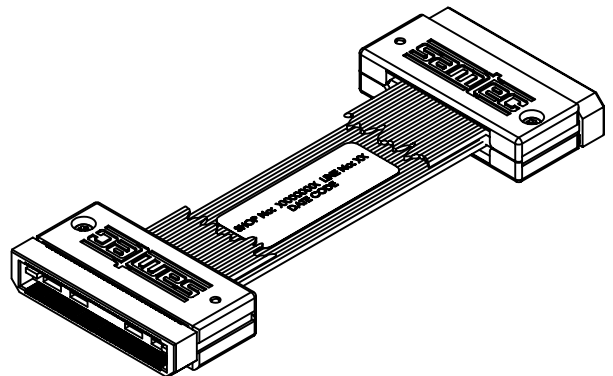
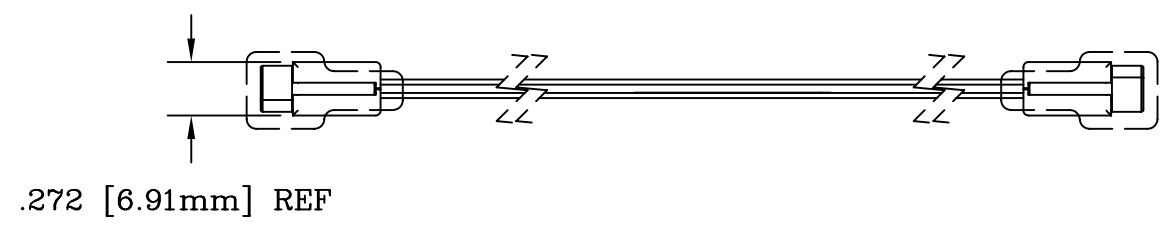
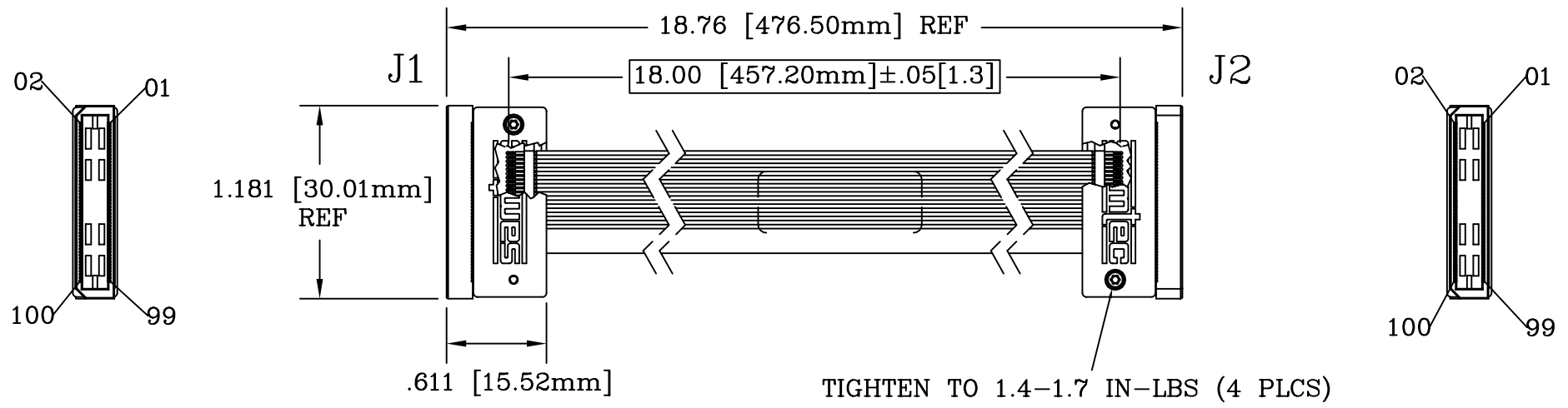


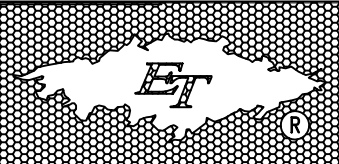
REV	DESCRIPTION	DATE	BY
A	NEW DRAWING	10/15/04	H.N.

F7368



UNLESS OTHERWISE SPECIFIED:
 DIMENSIONS ARE IN INCHES
 (ALTERNATE) DIMENSIONS ARE IN mm
 TOLERANCES:
 ANGLES: ±
 FRACTIONS: ±1/64
 DECIMALS:
 .XX ±.010
 .XXX ±.005
 .XXXX ±.0005

ALL DIMENSIONS ARE IN INCHES UNLESS OTHERWISE SPECIFIED



Emulation Technology, Inc.
 — VLSI and SMT ADAPTERS and ACCESSORIES —
 2344 Walsh Avenue, Bldg.F Santa Clara, Ca 95051
 TEL:(408)982-0660 FAX:(408)982-0664

SHEET: 1 OF 1	DATE: 10/15/04	REVISION: A	ASSEMBLY DRAWING
CHECKED: Perry Munroe	DRAWN: Huy Nguyen	ITEM: SAM100CABLEMM18	
Scale N/A DO NOT SCALE DRAWING			DESCRIPTION: SAM-100-CABLE-MM-18