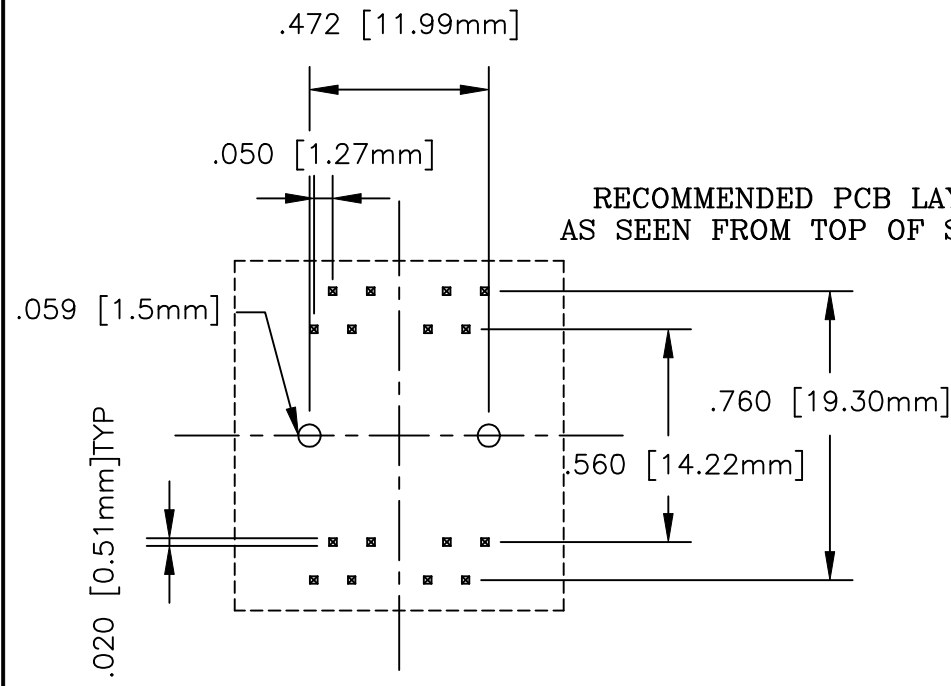
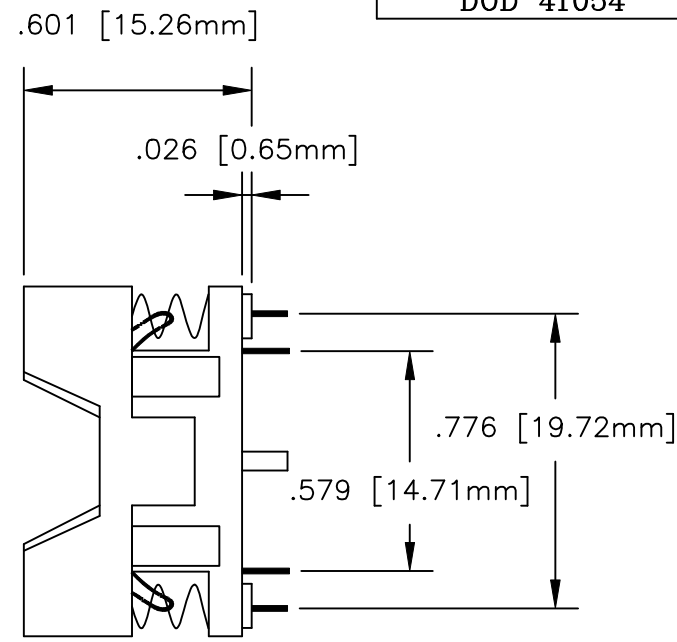
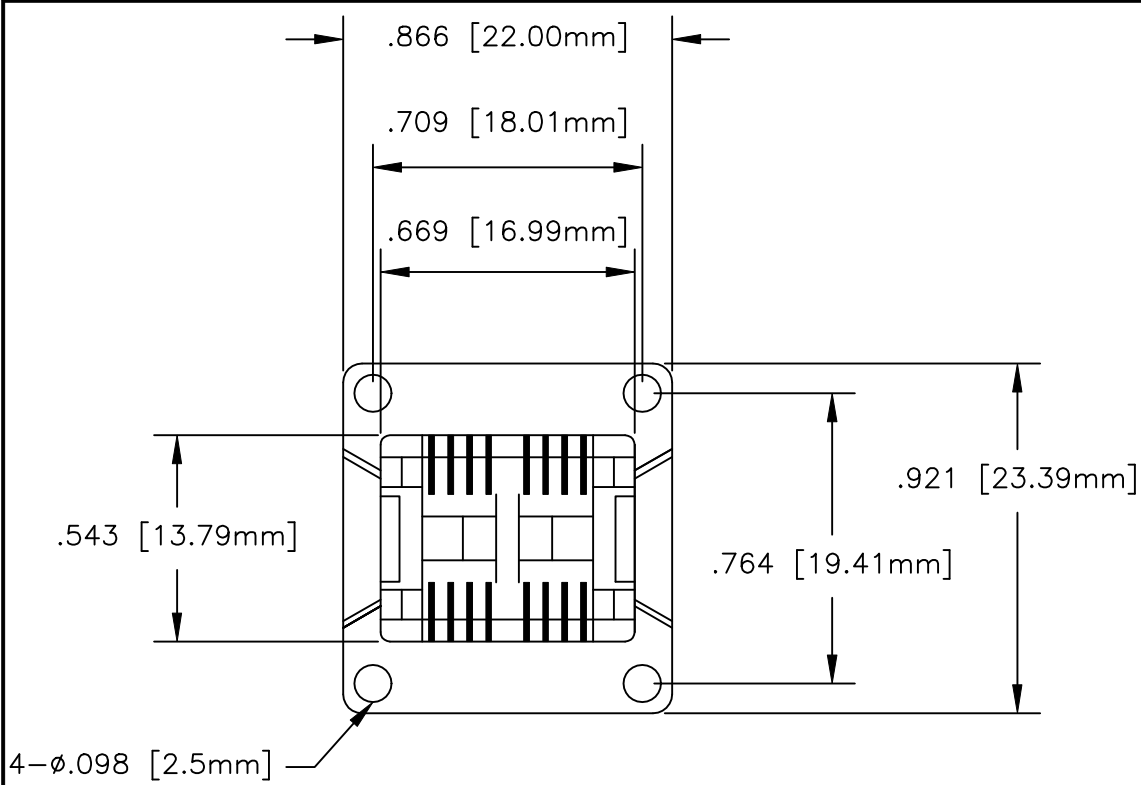


SKT1054

DOD 41054



PACKAGE SPECIFICATIONS	
PIN COUNT	= 16
LEAD PITCH	= 1.27mm
PACKAGE WIDTH	= 5.28mm

SCALE 2:1

ALL DIMENSIONS ARE IN INCHES UNLESS OTHERWISE SPECIFIED



Emulation Technology, Inc.
 — VLSI and SMT ADAPTERS and ACCESSORIES —

2344 Walsh Avenue, Bldg. F
 Santa Clara, Ca 95051

TEL:(408)982-0660
 FAX:(408)982-0664

SHEET: 1 OF 1	DATE: 2/5/01	REVISION:	ASSEMBLY DRAWING
CHECKED: Perry Munroe	DRAWN: Aaron Fine	ITEM: S-SOL-00-016-C	
DO NOT SCALE DRAWING			DESCRIPTION: S-SOL-00-016-C